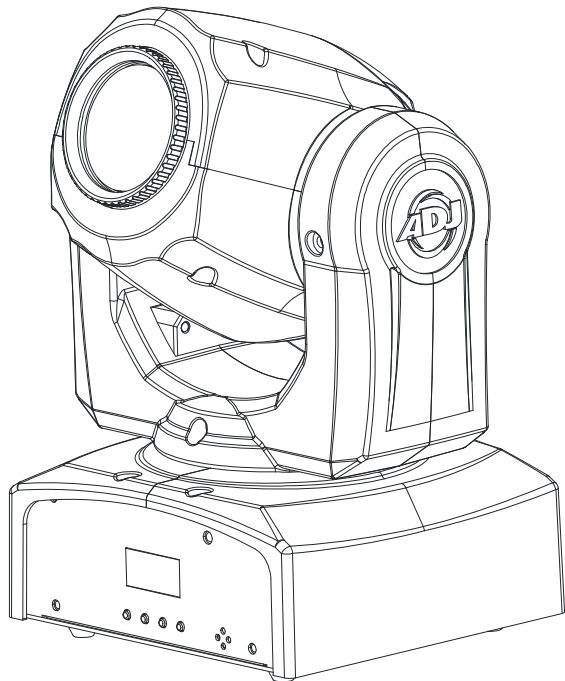




POCKET PRO



User Instructions



©2017 ADJ Products, LLC all rights reserved. Information, specifications, diagrams, images, and instructions herein are subject to change without notice. ADJ Products, LLC logo and identifying product names and numbers herein are trademarks of ADJ Products, LLC. Copyright protection claimed includes all forms and matters of copyrightable materials and information now allowed by statutory or judicial law or hereinafter granted. Product names used in this document may be trademarks or registered trademarks of their respective companies and are hereby acknowledged. All non-ADJ Products, LLC brands and product names are trademarks or registered trademarks of their respective companies.

ADJ Products, LLC and all affiliated companies hereby disclaim any and all liabilities for property, equipment, building, and electrical damages, injuries to any persons, and direct or indirect economic loss associated with the use or reliance of any information contained within this document, and/or as a result of the improper, unsafe, insufficient and negligent assembly, installation, rigging, and operation of this product.

DOCUMENT VERSION

Please check www.adj.com for the latest revision/update of this guide.

Date	Document Version	Software Version \geq	DMX Channel Mode	Notes
07/24/17	1	1.1	11/13	Initial Release

Europe Energy Saving Notice

Energy Saving Matters (EuP 2009/125/EC)

Saving electric energy is a key to help protecting the environment. Please turn off all electrical products when they are not in use. To avoid power consumption in idle mode, disconnect all electrical equipment from power when not in use. Thank you!

Pocket Pro

General Information

Unpacking: Thank you for purchasing the Pocket Pro by ADJ Products, LLC. Every Pocket Pro has been thoroughly tested and has been shipped in perfect operating condition. Carefully check the shipping carton for damage that may have occurred during shipping. If the carton appears to be damaged, carefully inspect your fixture for any damage and be sure all equipment necessary to operate the unit has arrived intact. In the event damage has been found or parts are missing, please contact our toll free customer support number for further instructions. Please do not return this unit to your dealer without contacting customer support first.

Introduction: The Pocket Pro is a DMX intelligent, moving head, mini LED fixture. The Pocket Pro can operate as a stand alone fixture or in a Master/Slave configuration. The Pocket Pro has three operating modes; a sound active, show mode, DMX controlled. This fixture is suitable for theaters, studios, retail stores, and other similar locations. *For best results use fog or special effects smoke to enhance the beams projections.*

Customer Support: ADJ Products, LLC provides a toll free customer support line, to provide help and to answer any question should you encounter problems during your set up or initial operation. You may also visit us on the web at www.adj.com for any comments or suggestions. Service Hours are Monday through Friday 8:00 a.m. to 4:30 p.m. Pacific Standard Time.

Voice: (800) 322-6337

Fax: (323) 582-2941

E-mail: support@americandj.com

Warning! To prevent or reduce the risk of electrical shock or fire, do not expose this unit to rain or moisture.

Warning! *This may cause severe eye damage. Avoid looking directly into the light source at all times!*

Pocket Pro

General Instructions

To optimize the performance of this product, please read these operating instructions carefully to familiarize yourself with the basic operations of this unit. These instructions contain important safety information regarding the use and maintenance of this unit. Please keep this manual with the unit, for future reference.

Pocket Pro

Features

- DMX-512 Protocol Compatible (11 DMX Channels or 13 Channels)
- 7 Colors + White
- Gobo Wheel with 7 Replaceable Gobos + Spot
- 3 Operating Modes - Sound Active, Show Mode, & DMX Control
- Internal Microphone
- Digital Display for Address and Function Setting
- 4 Preprogrammed Shows
- UC IR Compatible (Not Included) & Airstream App Compatible

Pocket Pro

Warranty Registration

The Pocket Pro carries a 2 year (730 days) limited warranty. Please fill out the enclosed warranty card to validate your purchase and warranty. You may also register your product online at www.adjproducts.com. All returned service items whether under warranty or not, must be freight pre-paid and accompany a return authorization (R.A.) number. If the unit is under warranty you must provide a copy of your proof of purchase invoice. Please contact ADJ Products, LLC customer support for a R.A. number.

Pocket Pro

Handling Precautions

Caution! There are no user serviceable parts inside this unit. Do not attempt any repairs yourself, doing so will void your manufactures warranty. In the unlikely event your unit may require service please contact ADJ Products, LLC.

During operation the housing may become extremely hot. Avoid touching the unit with bare hands while in use.

ADJ Products, LLC will not accept any liability for any resulting damages caused by the non-observance of this manual or any unauthorized modification to this unit.

For Your Own Personal Safety, Please Read and Understand This Manual Completely Before You Attempt To Install Or Operate This Unit!

- To reduce the risk of electrical shock or fire, do not expose this unit rain or moisture
- Do not spill water or other liquids into or on to your unit.
- Be sure that the local power outlet match that of the required voltage for your unit.
- Do not attempt to operate this unit if the power cord has been frayed or broken.
- Do not attempt to remove or break off the ground prong from the electrical cord. This prong is used to reduce the risk of electrical shock and fire in case of an internal short.
- Disconnect from main power before making any type of connection.
- Do not remove the cover under any conditions. There are no user serviceable parts inside.
- Never operate this unit when it's cover is removed.
- Always be sure to mount this unit in an area that will allow proper ventilation. Allow about 6" (15cm) between this device and a wall.
- Do not attempt to operate this unit, if it becomes damaged.
- This unit is intended for indoor use only, use of this product outdoors voids all warranties.
- Always mount this unit in safe and stable matter.
- Power-supply cords should be routed so that they are not likely to be walked on or pinched by items placed upon or against them, paying particular attention to cords at plugs, convenience receptacles, and the point where they exit from the appliance.
- Cleaning -The fixture should be cleaned only as recommended by the manufacturer. See page 33 for cleaning details.
- Heat -This fixture should be situated away from heat sources such as radiators, heat registers, stoves, or other appliances (including amplifiers) that produce heat.
- The fixture should be serviced by qualified service personnel when:
 - A. Objects have fallen, or liquid has been spilled into the fixture.
 - B. The fixture has been exposed to rain or water.
 - C. The fixture does not appear to operate normally or exhibits a marked change in performance.
 - D. The fixture has fallen and/or subjected to extreme handling.

⚠ CAUTION

**HIGH
INTENSITY
ULTRAVIOLET
LIGHT**



**AVOID DIRECT EYE & SKIN EXPOSURE.
WEAR PROPER EYE & SKIN PROTECTION.
SEE MANUAL FOR SAFETY INSTRUCTIONS.**

RISK GROUP 3 - RISK OF EXPOSURE TO ULTRAVIOLET (UV) RADIATION!

**FIXTURE EMITS HIGH INTENSITY ULTRAVIOLET (UV) LIGHT
AT A WAVELENGTH OF 390NM - 410NM.**

WEAR PROPER EYE AND SKIN PROTECTION.

AVOID PROLONGED PERIODS OF EXPOSURE.

**AVOID WEARING WHITE COLOR CLOTHING AND/OR
USING (UV) PAINTS ON SKIN.**

**AVOID DIRECT EYE AND/OR SKIN EXPOSURE AT DISTANCES
SHORTER THAN 11 feet (3.3m).**

**DO NOT OPERATE FIXTURE WITH DAMAGED OR MISSING EXTERNAL
COVER PROTECTIVE LENS.**

**DO NOT LOOK DIRECTLY INTO THE (UV) LIGHT AND/OR VIEW (UV)
LIGHT DIRECTLY WITH OPTICAL INSTRUMENTS THAT MAY CONCENTRATE
THE LIGHT/RADIATION OUTPUT.**

**INDIVIDUALS SUFFERING FROM A RANGE OF EYE CONDITIONS,
SUNLIGHT EXPOSURE DISORDERS, OR INDIVIDUALS USING PHOTO-
SENSITIVE MEDICATION, MAY RECEIVE DISCOMFORT IF EXPOSED TO
THE ULTRAVIOLET (UV) LIGHT EMITTED FROM THIS FIXTURE.**

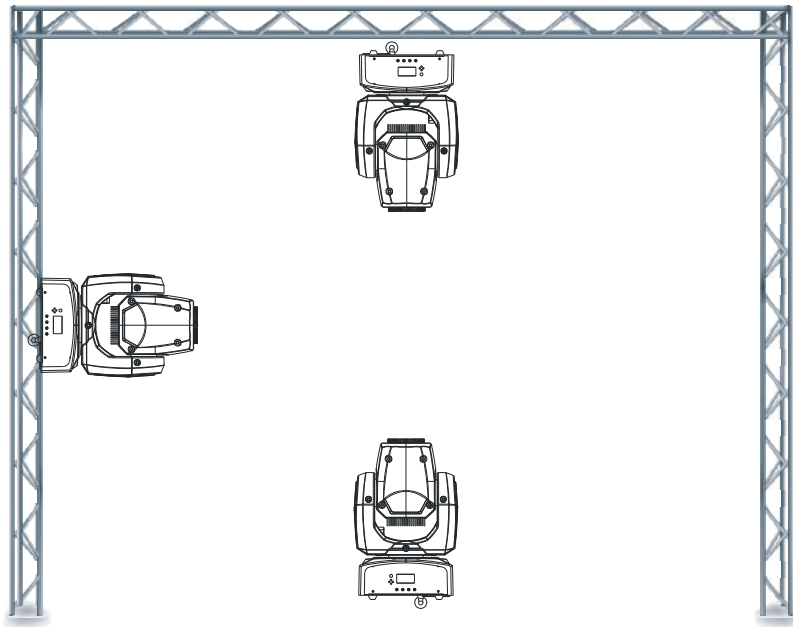
Pocket Pro

Mounting

When installing the unit, the trussing or area of installation must be able to hold 10 times the weight without any deformation. When installing the unit must be secured with a secondary safety attachment, e.g. and appropriate safety cable. Never stand directly below the unit when mounting, removing, or servicing the unit.

Overhead mounting requires extensive experience, including calculating working load limits, installation material being used, and periodic safety inspection of all installation material and unit. If you lack these qualifications, do not attempt the installation yourself.

The installation should be checked by a skilled person once a year.

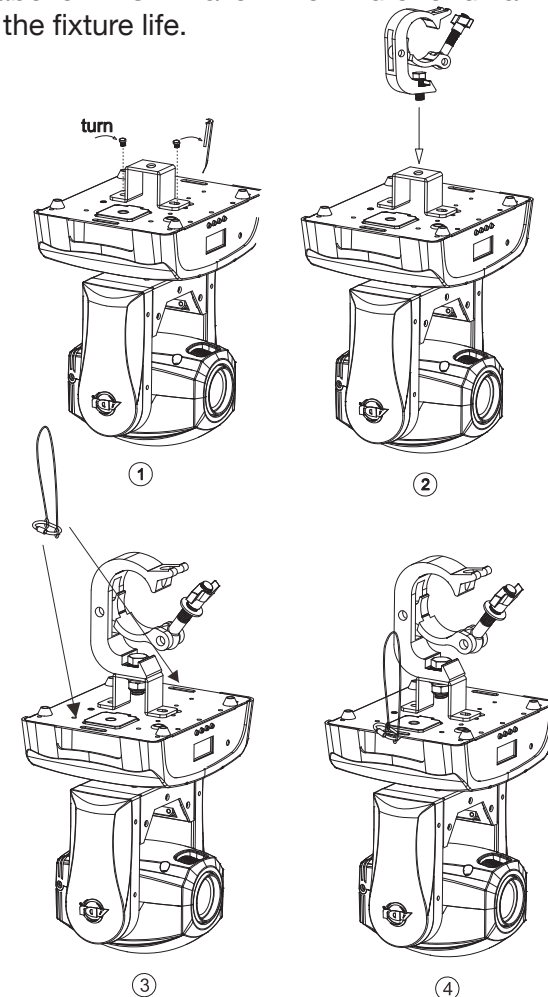


The Pocket Pro is fully operational in three different mounting positions, hanging upside-down from a ceiling, mounted sideways on trussing, or set on a flat level surface. Be sure this fixture is kept at least 0.5m away from any flammable materials (decoration etc.). Always use and install the supplied safety cable as a safety measure to prevent accidental damage and/or injury in the event the clamp fails (see next page).

Pocket Pro

Mounting

NOTICE: The suitable environmental temperature for this lighting fixture is between -25°C to 45°C . Do not place this lighting fixture in an environment where the temperatures are under or above the temperatures stated above. This will allow the fixture to run at its best and help prolong the fixture life.



Screw one clamp via a M12 screw and nut to the included bracket. Attach the bracket using the included screws to the bottom of the Pocket Pro. Pull the safety-cable through the side holes located underneath the handles. Run the safety cable over the trussing system or a safe fixation spot. Insert the end in the carabine and tighten the safety screw.

Power Supply: The ADJ Pocket Pro contains a automatic voltage switch, which will auto sense the voltage when it is plugged into the power source. With this switch there is no need to worry about the correct power voltage, this unit can be plugged in anywhere.

DMX-512: DMX is short for Digital Multiplex. This is a universal protocol used by most lighting and controller manufactures as a form of communication between intelligent fixtures and controllers. A DMX controller sends DMX data instructions from the controller to the fixture. DMX data is sent as serial data that travels from fixture to fixture via the DATA “IN” and DATA “OUT” XLR terminals located on all DMX fixtures (most controllers only have a DATA “OUT” terminal).

DMX Linking: DMX is a language allowing all makes and models of different manufactures to be linked together and operate from a single controller, as long as all fixtures and the controller are DMX compliant. To ensure proper DMX data transmission, when using several DMX fixtures try to use the shortest cable path possible. The order in which fixtures are connected in a DMX line does not influence the DMX addressing. For example; a fixture assigned a DMX address of 1 may be placed anywhere in a DMX line, at the beginning, at the end, or anywhere in the middle. Therefore, the first fixture controlled by the controller could be the last fixture in the chain. When a fixture is assigned a DMX address of 1, the DMX controller knows to send DATA assigned to address 1 to that unit, no matter where it is located in the DMX chain.

Data Cable (DMX Cable) Requirements (For DMX and Master/Slave Operation): The Pocket Pro can be controlled via DMX-512 protocol. The Pocket Pro two DMX channel modes; 11 channel mode & 13 channel mode. The DMX address is set using the controls on the front panel of the unit. Your unit and your DMX controller require a approved DMX-512 110 Ohm Data cable for data input and data output (Figure 1). We recommend Accu-Cable DMX cables. If you are making your own cables, be sure to use standard 110-120 Ohm shielded cable (This cable may be purchased at almost all professional sound and lighting stores). Your cables



Figure 1

should be made with a male and female XLR connector on either end of the cable. Also remember that DMX cable must be daisy chained and cannot be split.

Notice: Be sure to follow figures two and three when making your own cables. Do not use the ground lug on the XLR connector. Do not connect the cable’s shield conductor to the ground lug or allow the shield conductor to come in contact with the XLR’s outer casing. Grounding the shield could cause a short circuit and erratic behavior.

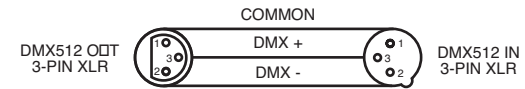


Figure 2

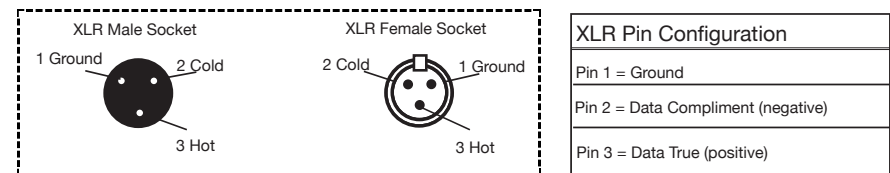


Figure 3

Special Note: Line Termination. When longer runs of cable are used, you may need to use a terminator on the last unit to avoid erratic behavior. A terminator is a 110-120 ohm 1/4 watt resistor which is connected between pins 2 and 3 of a male XLR connector (DATA + and DATA -). This unit is inserted in the female XLR connector of the last unit in your daisy chain to terminate the line. Using a cable terminator (ADJ part number Z-DMX/T) will decrease the possibilities of erratic behavior.

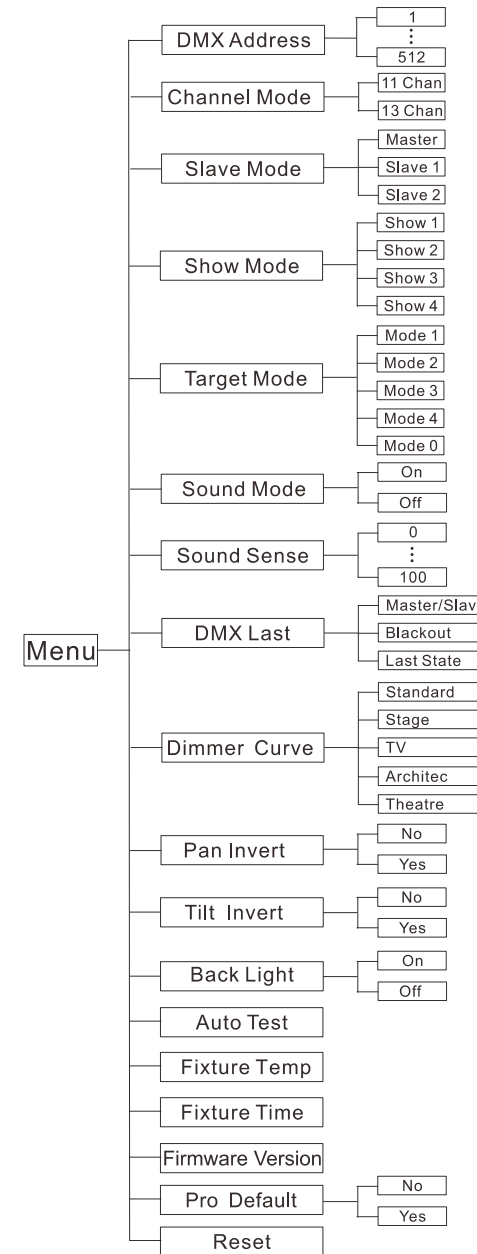


Termination reduces signal errors and avoids signal transmission problems and interference. It is always advisable to connect a DMX terminal. (Resistance 120 Ohm 1/4 W) between PIN 2 (DMX-) and PIN 3 (DMX +) of the last fixture.

Figure 4

5-Pin XLR DMX Connectors. Some manufactures use 5-pin DMX-512 data cables for DATA transmission in place of 3-pin. 5-pin DMX fixtures may be implemented in a 3-pin DMX line. When inserting standard 5-pin data cables in to a 3-pin line a cable adaptor must be used, these adaptors are readily available at most electric stores. The chart below details a proper cable conversion.

3-Pin XLR to 5-Pin XLR Conversion		
Conductor	3-Pin XLR Female (Out)	5-Pin XLR Male (In)
Ground/Shield	Pin 1	Pin 1
Data Compliment (- signal)	Pin 2	Pin 2
Data True (+ signal)	Pin 3	Pin 3
Not Used		Pin 4 - Do Not Use
Not Used		Pin 5 - Do Not Use



System Menu: When making adjustments press **ENTER** to confirm your setup then press and hold the **MENU** button for at least 3 seconds. To exit without making any adjustments press the **MENU** button. The display will lock after 30 seconds, press the **MENU** button for 3 seconds to unlock.

DMX Address - DMX Address Setting.

1. Press the either the **MENU**, **UP**, or **DOWN** buttons until “**DMX Address**” is displayed, press **ENTER**.
2. The current address will now be displayed and flashing. Press the **UP** or **DOWN** buttons to find your desired address. Press **ENTER** to set your desired DMX address.

Channel Mode - This will let select your desired DMX channel mode.

1. Press the either the **MENU** button until “**Channel Mode**” is displayed, press **ENTER**. Either “**11Chan**” or “**13Chan**” will be displayed
2. Press the **UP** or **DOWN** buttons to find your desired DMX channel mode and press **ENTER** to confirm and exit.

Slave Mode - This will let you set unit as a master or slave in a master/slave configuration.

1. Press the **MENU** button until “**Slave Mode**” is displayed, press **ENTER**. Either “**Master**”, “**Slave 1**”, or “**Slave 2**” will be displayed.
2. Press the **UP** or **DOWN** buttons until your desired setting is displayed, press **ENTER** to confirm.

NOTE: In a Master/Slave configuration you can set one fixture to Master and then set the next fixture to “**SL 2**”, the fixtures will now have contrast movement to each other.

Show Mode - Show modes 0-4 (Factory programs). Show mode can run with or without sound active mode active.

1. Press the **MENU** button until “**Show Mode**” is displayed, press **ENTER**.
2. “**Show X**” will now be displayed, “**X**” representing a number between 0-4. Shows 1-4 are factory programs, while show “0” is random mode. Use the **UP** or **DOWN** buttons to find your desired show.
3. When you have found your desired show press **ENTER**, then press and hold the **MENU** button for at least 3 seconds to activate. After you have set your desired show, it can be changed at any time using the **UP** or **DOWN** buttons.

Target Mode - Target mode is a restrictive pan/tilt control limiting the movement to a certain degree.

1. Press the **MENU** button until “**Target Mode**” is displayed, press **ENTER**. One of 5 target modes will be displayed. **Note: Target Mode will only work with Shows 3 & 4.**
 - Mode 1 - 0° - 180°
 - Mode 2 - 90° - 270°
 - Mode 3 - 180° - 360°
 - Mode 4 - 270° - 540°
 - Mode 0 - Random Mode

2. Press the **UP** or **DOWN** buttons to find your desired Target mode.
3. Press **ENTER** to confirm.

Sound Mode - Sound Active mode.

1. Press the **MENU** button until “**Sound Mode**” is displayed, press **ENTER**.
2. The display will show either “**ON**” or “**OFF**”. Press the **UP** or **DOWN** buttons to select “**ON**” to activate sound active mode, or “**OFF**” to deactivate sound active mode.
3. Press **ENTER** to confirm.

Sound Sense - In this mode you can adjust the sound sensitivity.

1. Press the MENU button until **“Sound Sense”** is displayed, press ENTER.
2. A number between 0-100 will be displayed. Press the UP or DOWN buttons to adjust the sound sensitivity. 0 being the least sensitive, and 100 being the most sensitive.
3. When you have found your desired setting press ENTER to confirm.

DMX State - This mode can be used as a precaution mode, that in case the DMX signal is lost, interrupted, or power is lost, the operating mode chosen in the setup is the running mode the fixture will go into when the DMX signal is lost. You can also set this as the operating mode you would like the unit to return to when power is applied.

1. Press the MENU button until **“DMX State”** is displayed, and either **“Master/Slave”**, **“Blackout”**, or **“Last State”** will be displayed beneath.
2. Press ENTER and the bottom choice will begin to flash. Use the UP or DOWN buttons to choose an operating mode you would like the unit to start up in when power is applied or the DMX signal is lost.
 - Last State - If the DMX signal is lost the fixture will stay in the last DMX setting. If power is applied and this mode is set, the unit will automatically go into the last DMX set up.
 - Master/Slave (Show Mode) - If the DMX signal is lost, interrupted, the unit will automatically go into show mode.
 - Blackout - If the DMX signal is lost or interrupted, the unit will automatically go into stand by mode.
3. Press ENTER to confirm your desired set up.

Dimmer Curve - This will let select your desired dimmer curve. See the dimmer curve chart on page 30 for more information.

1. Press the either the MENU button until **“Dimmer Curve”** is displayed, press ENTER. 1 of 5 dimmer curves will be displayed.
2. Press the UP or DOWN buttons to find your desired dimmer curve and press ENTER to confirm and exit.

Pan Invert

1. Press the MENU button until **“Pan Invert”** is displayed, press ENTER. Either **“Yes”** or **“No”** will be displayed.
2. To activate the Pan inversion press the UP or DOWN buttons until **“Yes”** is displayed, press ENTER to confirm. To deactivate Pan inversion, select **“No”** and press Enter.

Tilt Invert

1. Press the MENU button until **“Tilt Invert”** is displayed, press ENTER. Either **“Yes”** or **“No”** will be displayed.
2. To activate the tilt inversion press the UP or DOWN buttons until **“Yes”** is displayed, press ENTER to confirm. To deactivate tilt inversion, select **“No”** and press Enter.

Back Light - With this function you can have the LED display turn off after 10 seconds.

1. Press the MENU button until **“Back Light”** is displayed, press ENTER.
2. The display will show either **“ON”** or **“OFF”**. Press the UP or DOWN buttons to select **“ON”** to keep the LED display on at all times, or **“OFF”** to switch to have the LED display switch off after 10 seconds.
3. Press ENTER to confirm. To make you LED display reappear again press any button.

Auto Test - This function will run a self test program.

1. Press the MENU button until “**Auto Test**” is displayed, press ENTER.
2. The fixture will now run a self test.

LED Temp - Use this function to display the LED temperature.

1. Press the either the MENU button until “**LED Temp**” is displayed, press ENTER.
2. The display will show the LED temperature.

Fixture Time - With this function you can display the running time of the unit.

1. Press the MENU button until “**Fixture Time**” is displayed, press ENTER.
2. The running time of the fixture will now be displayed. Press MENU to exit.

Firmware Version - Use this function to display the Software version of the unit.

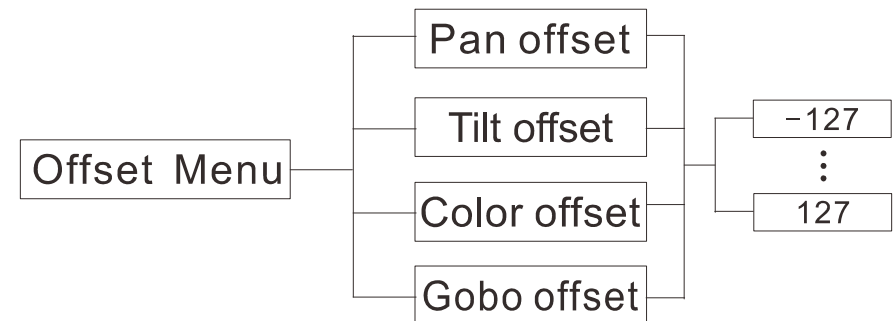
1. Press the either the MENU button until “**Firmware Version**” is displayed, press ENTER.
2. The display will show the software version.

Pro Default - This function will allow you to reset the unit to its default functions.

1. Press the either the MENU button until “**Pro Default**” is displayed, press ENTER. Either “**Yes**” or “**No**” will be displayed.
2. To reset back to default functions press the UP or DOWN buttons until “**Yes**” is displayed, and press ENTER to confirm. To leave this menu without resetting to default functions, select “**No**” and press Enter.

Reset - Use this function to reset the unit.

1. Press the MENU button until “**Reset**” is displayed, press ENTER.
2. The fixture will now reset.



To enter the home position adjustment menu, press the ENTER button for at least 5 seconds. In this submenu you are able to adjust the original position of the pan position, tilt position, color wheel position, and gobo wheel position.

Pan Offset - Adjustment of the pan position.

1. Press the ENTER button for at least 5 seconds, then press the UP or DOWN buttons so that “**Pan Offset**” is displayed, press ENTER.
2. Use the UP and DOWN buttons to make your adjustments, and then press ENTER to confirm. Press the MENU button for one second to exit.

Tilt Offset - Adjustment of the tilt position.

1. Press the ENTER button for at least 5 seconds, then press the UP or DOWN buttons so that “**Tilt Offset**” is displayed, press ENTER.
2. Use the UP and DOWN buttons to make your adjustments, and then press ENTER to confirm. Press the MENU button for one second to exit.

Color Offset - Adjustment for the color wheel.

1. Press the ENTER button for at least 3 seconds, then press the UP or DOWN buttons so that “**Color Offset**” is displayed, press ENTER.
2. Use the UP and DOWN buttons to make your adjustments, and then press ENTER to confirm. Press the MENU button for one second to exit.

Gobo Offset - Adjustment of the gobo wheel.

1. Press the ENTER button for at least 5 seconds, then press the UP or DOWN buttons so that “**Gobo Offset**” is displayed, press ENTER.
2. Use the UP and DOWN buttons to make your adjustments, and then press ENTER to confirm. Press the MENU button for one second to exit.

Universal DMX Control: This function allows you to use a universal DMX-512 controller to control the colors, gobos, dimmer and strobe. A DMX controller allows you to create unique programs tailored to your individual needs.

1. The Pocket Pro has 2 DMX channel modes; 11 channel mode or 13 channel mode. See pages 22-29 for detailed description of the DMX values and traits.
2. To control your fixture in DMX mode, follow the set-up procedures on pages 8-10 as well as the set-up specifications that are included with your DMX controller.
3. Use the controller’s faders to control the various DMX fixture traits.
4. This will allow you to create your own programs.
5. Follow the instruction on page 12 to select your desired DMX channel mode and set the DMX address.
6. For longer cable runs (more than a 100 feet) use a terminator on the last fixture.
7. For help operating in DMX mode consult the manual included with your DMX controller.

Sound Active Mode: This mode allows either single unit or several units linked together, to run to the beat of the music.

1. Press the MENU button until “**Sound Mode**” is displayed, and press ENTER. Press the UP or DOWN buttons so that “**ON**” is displayed and press ENTER.
2. Press the MENU button until “**Sound Sense**” is displayed, and press ENTER. Use the UP and DOWN buttons to adjust the sound sensitivity. Press ENTER when you have found your desired sensitivity level.

Show Mode: This mode allows either a single unit or several units linked together, to run one of four shows that you choose.

1. Press the MENU button until “**Show Mode**” is displayed, and press ENTER.
2. Press the UP or DOWN buttons until you find your desired show, and press ENTER.

Master-Slave Operation This function will allow you to link up to 16 units together and operate without a controller. The units will be sound activated. In Master-Slave operation one unit will act as the controlling unit and the others will react to the controlling units programs. Any unit can act as a Master or as a Slave.

1. Using approved DMX data cables, daisy chain your units together via the XLR connector on the rear of the units. Remember the Male XLR connector is the input and the Female XLR connector is the output. The first unit in the chain (master) will use the female XLR connector only - The last unit in the chain will use the male XLR connector only. For longer cable runs we suggest a terminator at the last fixture.
2. On the Master unit press the MENU button until “**Slave Mode**” is displayed, and press ENTER. Use the UP and DOWN buttons to scroll to the “**Master**” setting and press ENTER.
3. After setting the Master unit to the master setting find your desired operating mode.
4. On the slave units press the MENU button until “**Slave Mode**” is displayed, and press ENTER. Choose either “**Slave 1**” or “**Slave 2**” and press ENTER. See page 10 for more info.
5. The slave units will now follow the Master unit.

The focus can manually focused using the focus wheel located on the bottom front of the moving head. Rotate the focus wheel back and forth until you get your perfect focus.

The **UC IR (sold separately)** infrared remote gives you control of various functions. To control the fixture you must aim the remote at the front of the fixture and be no more than 30 feet away.

The **Airstream IR Transmitter (sold separately)** remote transmitter plugs into the headphone jack of your iOS phone or tablet. To control your IR fixture you must raise the volume to the maximum on your iOS phone or tablet and aim the transmitter at the fixture sensor and be no more than 15 feet away. After you have purchased the Airstream IR transmitters, the app is a free download from the app store for your iOS phone or tablet. The app comes with 3 pages of control depending on the fixture you are using. Please see below for IR functions including the corresponding app page.

Works with App page 1.

STAND BY - Pressing this button will blackout the fixture.

FULL ON - This button is invalid for this fixture.

FADE/GOBO - Press this button to enter Gobo mode. Use the 1-8 buttons to select your desired gobo. See gobos on the next page, then number buttons correspond to the gobo.

“DIMMER +” and “DIMMER -” - Use these buttons to adjust the output intensity and to adjust the strobe speed.

STROBE - Press and hold this button to activate strobe mode. Release the button and press and hold this button again to activate random strobe.

COLOR - Press this button to enter Dimmer mode. Use the 1-8 buttons to select your desired color. See the DMX colors on the next page. Adjust the output intensity using the “DIMMER +” and “DIMMER -” buttons.

1-8 - When in either Gobo mode or Color mode, these buttons will allow you to select either a gobo or color.

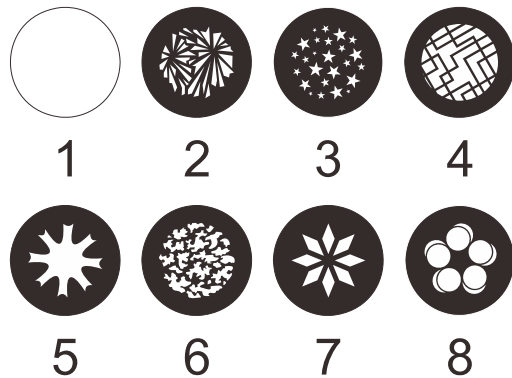
SOUND ON & OFF - These buttons activate and deactivate the sound active mode.

SHOW 0 - Press this button to activate show mode. Use buttons 1-9 to find your desired show.

Pocket Pro		11 Channel Mode
Channel	Value	Function
1	0 - 255	PAN MOVEMENT 8bit
2	0 - 255	TILT MOVEMENT 8bit
3	0 - 7	COLORS
	8 - 14	WHITE
	15 - 21	RED
	22 - 28	ORANGE
	29 - 35	YELLOW
	36 - 42	GREEN
	43 - 49	UV
	50 - 56	LIGHT BLUE
	57 - 66	PINK
	67 - 76	WHITE & RED
	77 - 86	RED & ORANGE
	87 - 96	ORANGE & YELLOW
	97 - 106	YELLOW & GREEN
	107 - 116	GREEN & UV
	117 - 127	UV & LIGHT BLUE
	128 - 189	LIGHT BLUE & PINK
	190 - 193	COLOR SCROLL FAST - SLOW
	194 - 255	STOP
		COLOR SCROLL SLOW - FAST

GOBO WHEEL (SEE NEXT PAGE FOR GOBO VALUES)

Gobo Size: 18.4mm
Viewable: 13mm
Thickness: 0.3mm



Pocket Pro		11 Channel Mode
Channel	Value	Function
4	0 - 7	GOBO WHEEL
	8 - 15	OPEN
	16 - 23	GOBO 1
	24 - 31	GOBO 2
	32 - 39	GOBO 3
	40 - 47	GOBO 4
	48 - 55	GOBO 5
	56 - 63	GOBO 6
	64 - 71	GOBO 7
	72 - 79	OPEN SHAKE SLOW - FAST
	80 - 87	GOBO 1 SHAKE SLOW - FAST
	88 - 95	GOBO 2 SHAKE SLOW - FAST
	96 - 103	GOBO 3 SHAKE SLOW - FAST
	104 - 111	GOBO 4 SHAKE SLOW - FAST
	112 - 119	GOBO 5 SHAKE SLOW - FAST
	120 - 127	GOBO 6 SHAKE SLOW - FAST
	128 - 189	GOBO 7 SHAKE SLOW - FAST
	190 - 193	GOBO SCROLL FAST - SLOW
	194 - 255	OPEN/STOP
5	0 - 7	GOBO SCROLL SLOW - FAST
	8 - 15	SHUTTER/STROBE
	16 - 131	BLACKOUT
	132 - 139	SHUTTER OPEN
	140 - 181	STROBING SLOW - FAST
	182 - 189	SHUTTER OPEN
	190 - 231	SHUTTER SLOW OPEN - FAST CLOSE
	232 - 239	SHUTTER OPEN
	240 - 247	SHUTTER FAST OPEN - SLOW CLOSE
	248 - 255	SHUTTER OPEN
6	0 - 255	RANDOM STROBE
		SHUTTER OPEN
		DIMMER 0% - 100%

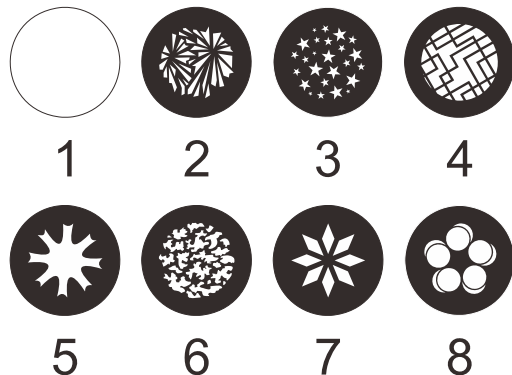
Pocket Pro		11 Channel Mode
Channel	Value	Function
7	0 - 7	PAN/TILT MACRO NO FUNCTION
	8 - 15	MACRO 1
	16 - 23	MACRO 2
	24 - 31	MACRO 3
	32 - 39	MACRO 4
	40 - 47	MACRO 5
	48 - 55	MACRO 6
	56 - 63	MACRO 7
	64 - 71	MACRO 8
	72 - 79	MACRO 9
	80 - 87	MACRO 10
	88 - 95	MACRO 11
	96 - 103	MACRO 12
	104 - 111	MACRO 13
	112 - 119	MACRO 14
	120 - 127	MACRO 15
	128 - 135	MACRO 16
	136 - 143	MACRO 17
	144 - 151	MACRO 18
	152 - 159	MACRO 19
	160 - 167	MACRO 20
	168 - 175	MACRO 21
	176 - 183	MACRO 22
	184 - 191	MACRO 23
	192 - 199	MACRO 24
	200 - 207	MACRO 25
	208 - 215	MACRO 26
	216 - 223	MACRO 27
	224 - 231	MACRO 28
	232 - 239	MACRO 29
	240 - 247	MACRO 30
248 - 255	MACRO 31	

Pocket Pro		11 Channel Mode
Channel	Value	Function
8	0 - 255	PAN/TILT MACRO SPEED SLOW - FAST
9	0 - 20	DIMMER CURVES STANDARD
	21 - 40	STAGE
	41 - 60	TV
	61 - 80	ARCHITECTURAL
	81 - 100	THEATER
	101 - 255	DEFAULT TO UNIT DIMMER SETTING
10	0 - 255	PAN/TILT MOVEMENT SPEED FAST - SLOW
11	0 - 69	SPECIAL FUNCTIONS NO FUNCTION
	70 - 79	ENABLE BLACKOUT W/ PAN/TILT
	80 - 89	DISABLE BLACKOUT W/ PAN/TILT
	90 - 99	TARGET MODE 1 (0° - 180°)
	100 - 109	TARGET MODE 2 (90° - 270°)
	110 - 119	TARGET MODE 3 (180° - 360°)
	120 - 129	TARGET MODE 4 (270° - 540°)
	130 - 199	NO FUNCTION
	200 - 209	RESET ALL
	210 - 255	NO FUNCTION

Pocket Pro		13 Channel Mode
Channel	Value	Function
1	0 - 255	PAN MOVEMENT 8bit (0°~540°)
2	0 - 255	PAN FINE 16bit
3	0 - 255	TILT MOVEMENT 8bit (0°~245°)
4	0 - 255	TILT FINE 16bit
5	0 - 7	COLORS
	8 - 14	WHITE
	15 - 21	RED
	22 - 28	ORANGE
	29 - 35	YELLOW
	36 - 42	GREEN
	43 - 49	UV
	50 - 56	BLUE
	57 - 66	PINK
	67 - 76	WHITE & RED
	77 - 86	RED & ORANGE
	87 - 96	ORANGE & YELLOW
	97 - 106	YELLOW & GREEN
	107 - 116	GREEN & UV
	117 - 127	UV & LIGHT BLUE
	128 - 189	LIGHT BLUE & PINK
	190 - 193	COLOR SCROLL FAST - SLOW
	194 - 255	STOP
		COLOR SCROLL SLOW - FAST

GOBO WHEEL (SEE NEXT PAGE FOR GOBO VALUES)

Gobo Size: 18.4mm
Viewable: 13mm
Thickness: 0.3mm

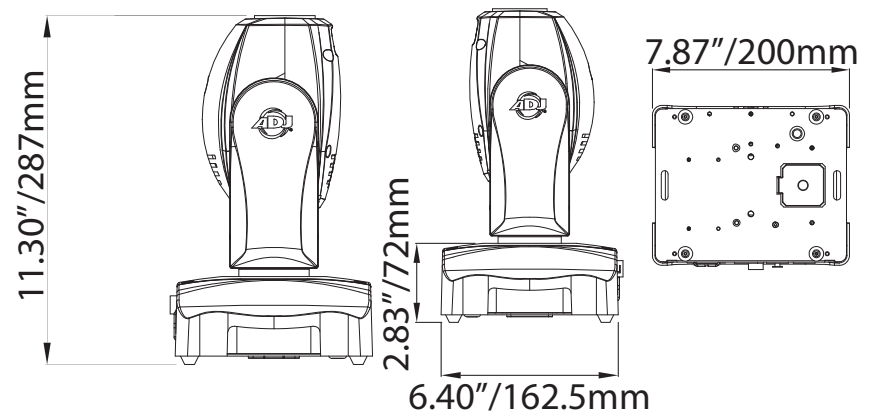


Pocket Pro		13 Channel Mode
Channel	Value	Function
6	0 - 7	GOBO WHEEL
	8 - 15	OPEN
	16 - 23	GOBO 1
	24 - 31	GOBO 2
	32 - 39	GOBO 3
	40 - 47	GOBO 4
	48 - 55	GOBO 5
	56 - 63	GOBO 6
	64 - 71	GOBO 7
	72 - 79	OPEN SHAKE
	80 - 87	GOBO 1 SHAKE
	88 - 95	GOBO 2 SHAKE
	96 - 103	GOBO 3 SHAKE
	104 - 111	GOBO 4 SHAKE
	112 - 119	GOBO 5 SHAKE
	120 - 127	GOBO 6 SHAKE
	128 - 189	GOBO 7 SHAKE
	190 - 193	GOBO SCROLL FAST - SLOW
	194 - 255	STOP
		GOBO SCROLL SLOW - FAST
7	0 - 7	SHUTTER/STROBE
	8 - 15	BLACKOUT
	16 - 131	SHUTTER OPEN
	132 - 139	STROBING SLOW - FAST
	140 - 181	SHUTTER OPEN
	182 - 189	SHUTTER SLOW OPEN - FAST CLOSE
	190 - 231	SHUTTER OPEN
	232 - 239	SHUTTER FAST OPEN - SLOW CLOSE
	240 - 247	SHUTTER OPEN
	248 - 255	RANDOM STROBE
		SHUTTER OPEN
8	0 - 255	DIMMER 0% - 100%

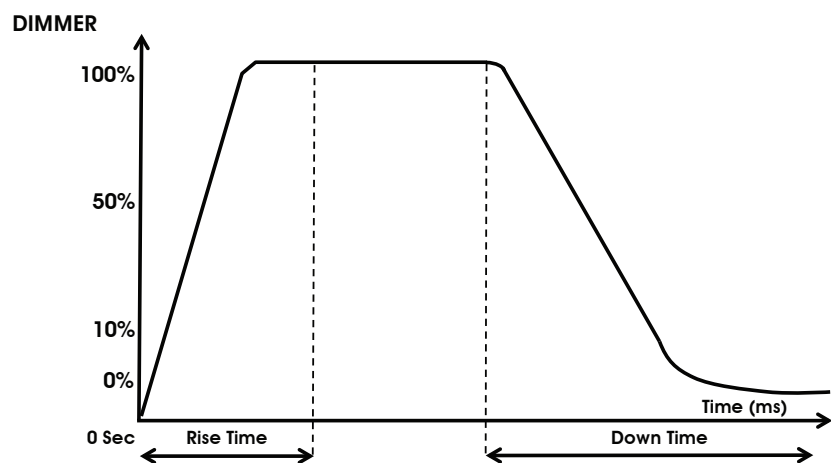
Pocket Pro		13 Channel Mode
Channel	Value	Function
9	0 - 7	PAN/TILT MACRO NO FUNCTION
	8 - 15	MACRO 1
	16 - 23	MACRO 2
	24 - 31	MACRO 3
	32 - 39	MACRO 4
	40 - 47	MACRO 5
	48 - 55	MACRO 6
	56 - 63	MACRO 7
	64 - 71	MACRO 8
	72 - 79	MACRO 9
	80 - 87	MACRO 10
	88 - 95	MACRO 11
	96 - 103	MACRO 12
	104 - 111	MACRO 13
	112 - 119	MACRO 14
	120 - 127	MACRO 15
	128 - 135	MACRO 16
	136 - 143	MACRO 17
	144 - 151	MACRO 18
	152 - 159	MACRO 19
	160 - 167	MACRO 20
	168 - 175	MACRO 21
	176 - 183	MACRO 22
	184 - 191	MACRO 23
	192 - 199	MACRO 24
	200 - 207	MACRO 25
	208 - 215	MACRO 26
	216 - 223	MACRO 27
	224 - 231	MACRO 28
	232 - 239	MACRO 29
	240 - 247	MACRO 30
248 - 255	MACRO 31	

Pocket Pro		13 Channel Mode
Channel	Value	Function
10	0 - 255	PAN/TILT MACRO SPEED SLOW - FAST
11	0 - 20	DIMMER CURVES STANDARD
	21 - 40	STAGE
	41 - 60	TV
	61 - 80	ARCHITECTURAL
	81 - 100	THEATER
	101 - 255	DEFAULT TO UNIT DIMMER SETTING
12	0 - 255	PAN/TILT MOVEMENT SPEED FAST - SLOW
13	0 - 69	SPECIAL FUNCTIONS NO FUNCTION
	70 - 79	ENABLE BLACKOUT W/ PAN/TILT
	80 - 89	DISABLE BLACKOUT W/ PAN/TILT
	90 - 99	TARGET MODE 1 (0° - 180°)
	100 - 109	TARGET MODE 2 (90° - 270°)
	110 - 119	TARGET MODE 3 (180° - 360°)
	120 - 129	TARGET MODE 4 (270° - 540°)
	130 - 199	NO FUNCTION
	200 - 209	RESET ALL
	210 - 255	NO FUNCTION

Pocket Pro Dimensional Drawings

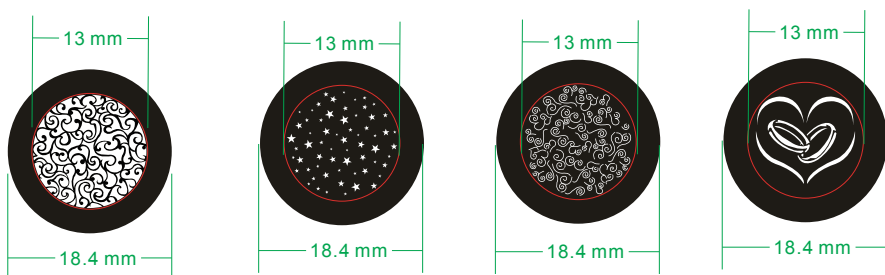


Pocket Pro Dimmer Curve Chart



Dimming Curve Ramp Effect	0 sec Fade Time		1 sec Fade Time	
	Rise Time (ms)	Down Time (ms)	Rise Time (ms)	Down Time (ms)
Standard (default)	0	0	0	0
Stage	780	1100	1540	1660
TV	1180	1520	1860	1940
Architectural	1380	1730	2040	2120
Theatre	1580	1940	2230	2280

Pocket Pro Included Gobos



Pocket Pro Gobo Replacement

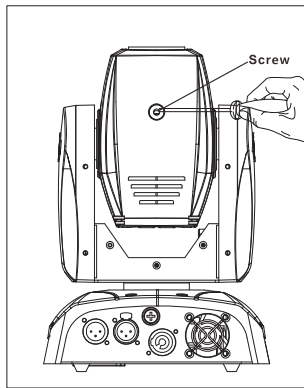
The gobo's in this unit are interchangeable. Please be very careful when replacing the gobo. 4 Gobos are included.
Caution! Never open the unit when in use. Always disconnect the main power before attempting to change the gobos.

1. To change a gobo, rotate the moving head so that the single middle screw is pointing up. Unscrew the single middle screw.
2. Once you loosen the single screw you are able to swing the head back. You will now be able to access the gobo wheel. Turn the wheel with your hand until you come across the gobo you would like to change.
3. Carefully rotate the color wheel until the gap in the color wheel is positioned in front of the gobo you would like to replace. See picture below for visual aid.
4. Gently and carefully slide the gobo up and out of its holder.
5. Carefully slide your gobo back into the housing slot.
6. Reassemble the unit.

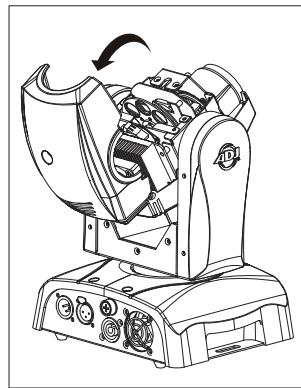


Pocket Pro

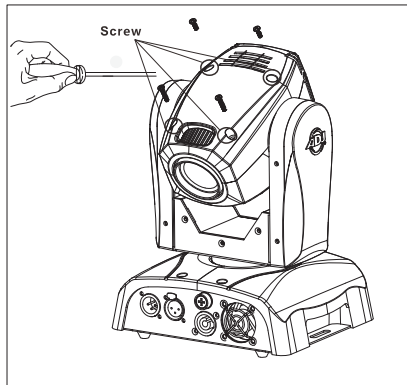
Remove the Head Casing



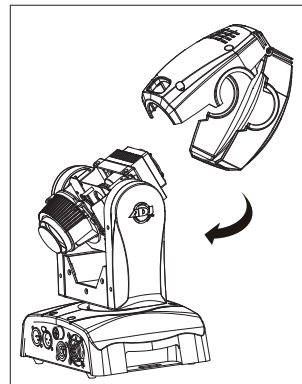
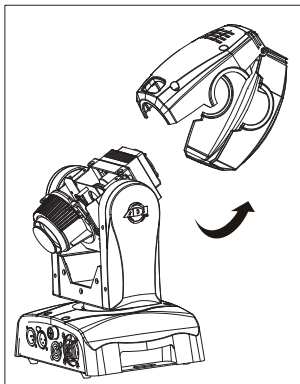
Unscrew the single screw



Flip the top cover back



Unscrew the 4 screws located on the other side



Pocket Pro

Fuse Replacement

Disconnect the power and remove the unit's power cord. Once the cord has been removed locate the fuse holder above the power connection. Using a phillips head screwdriver, unscrew the fuse holder. Remove the bad fuse and replace with a new one. Screw the fuse holder back into place.

Pocket Pro

Cleaning

Due to fog residue, smoke, and dust cleaning the internal and external optical lenses and mirror should be carried out periodically to optimize light output. Cleaning frequency depends on the environment in which the fixture operates (i.e. smoke, fog residue, dust, dew). In heavy club use we recommend cleaning on a monthly basis. Periodic cleaning will ensure longevity, and crisp output.

1. Use normal glass cleaner and a soft cloth to wipe down the outside casing.
2. Use a brush to wipe down the cooling vents and fan grill.
3. Clean the external optics with glass cleaner and a soft cloth every 20 days.
4. Clean the internal optics with glass cleaner and a soft cloth every 30-60 days.
5. Always be sure to dry all parts completely before plugging the unit back in.

Pocket Pro

Trouble Shooting

Trouble Shooting: Listed below are a few common problems that you may encounter, with solutions.

No light output from the unit;

1. Be sure the external fuse has not blown. The fuse is located on the rear panel of the unit.
2. Be sure the fuse holder is completely and properly seated.

Unit does not respond to sound;

1. Low frequencies (bass) should cause the unit to react to sound. Tapping on the microphone, quiet or high pitched sounds may not activate the unit.

Pocket Pro

Warranty

MANUFACTURER'S LIMITED WARRANTY

- A. ADJ Products, LLC hereby warrants, to the original purchaser, ADJ Products, LLC products to be free of manufacturing defects in material and workmanship for a prescribed period from the date of purchase (see specific warranty period on reverse). This warranty shall be valid only if the product is purchased within the United States of America, including possessions and territories. It is the owner's responsibility to establish the date and place of purchase by acceptable evidence, at the time service is sought.
- B. For warranty service you must obtain a Return Authorization number (RA#) before sending back the product—please contact ADJ Products, LLC Service Department at 800-322-6337. Send the product only to the ADJ Products, LLC factory. All shipping charges must be pre-paid. If the requested repairs or service (including parts replacement) are within the terms of this warranty, ADJ Products, LLC will pay return shipping charges only to a designated point within the United States. If the entire instrument is sent, it must be shipped in its original package. No accessories should be shipped with the product. If any accessories are shipped with the product, ADJ Products, LLC shall have no liability whatsoever for loss of or damage to any such accessories, nor for the safe return thereof.
- C. This warranty is void if the serial number has been altered or removed; if the product is modified in any manner which ADJ Products, LLC concludes, after inspection, affects the reliability of the product; if the product has been repaired or serviced by anyone other than the ADJ Products, LLC factory unless prior written authorization was issued to purchaser by ADJ Products, LLC; if the product is damaged because not properly maintained as set forth in the instruction manual.
- D. This is not a service contract, and this warranty does not include maintenance, cleaning or periodic check up. During the period specified above, ADJ Products, LLC will replace defective parts at its expense with new or refurbished parts, and will absorb all expenses for warranty service and repair labor by reason of defects in material or workmanship. The sole responsibility of ADJ Products, LLC under this warranty shall be limited to the repair of the product, or replacement thereof, including parts, at the sole discretion of ADJ Products, LLC. All products covered by this warranty were manufactured after August 15, 2012, and bear indentifying marks to that effect.
- E. ADJ Products, LLC reserves the right to make changes in design and/or improvements upon its products without any obligation to include these changes in any products theretofore manufactured.

No warranty, whether expressed or implied, is given or made with respect to any accessory supplied with products described above. Except to the extent prohibited by applicable law, all implied warranties made by ADJ Products, LLC in connection with this product, including warranties of merchantability or fitness, are limited in duration to the warranty period set forth above. And no warranties, whether expressed or implied, including warranties of merchantability or fitness, shall apply to this product after said period has expired. The consumer's and/or Dealer's sole remedy shall be such repair or replacement as is expressly provided above; and under no circumstances shall ADJ Products, LLC be liable for any loss or damage, direct or consequential, arising out of the use of, or inability to use, this product.

This warranty is the only written warranty applicable to ADJ Products, LLC Products and supersedes all prior warranties and written descriptions of warranty terms and conditions heretofore published.

MANUFACTURER'S LIMITED WARRANTY PERIODS:

- **Non L.E.D. Lighting Products = 1-year (365 days) Limited Warranty** (Such as: Special Effect Lighting, Intelligent Lighting, UV lighting, Strobes, Fog Machines, Bubble Machines, Mirror Balls, Par Cans, Trussing, Lighting Stands etc. excluding LED and lamps)
- **Laser Products = 1 Year (365 Days) Limited Warranty** (excluding laser diodes which have a 6 month limited warranty)
- **L.E.D. Products = 2-year (730 days) Limited Warranty** (excluding batteries which have a 180 day limited warranty). **Note: 2 Year Warranty only applies to purchases within the United States.**
- **StarTec Series = 1 Year Limited Warranty** (excluding batteries which have a 180 day limited warranty).
- **ADJ DMX Controllers = 2 Year (730 Days) Limited Warranty**

ADJ Products, LLC - www.adj.com - Pocket Pro Instruction Manual Page 34

Pocket Pro

Specifications

Model:	Pocket Pro
Voltage:	100 - 240V, 50/60Hz
LED:	1 x 25W White LED
Power Consumption:	53W
Dimensions:	6.25"(L) x 5.75"(W) x 10.5"(H) 159mm x 147mm x 265mm
Weight:	8 Lbs. / 3.6 kgs.
Beam Angle:	15 Degrees
Fuse:	2 Amp
Duty Cycle:	None
DMX:	2 DMX Channel Modes: 11 Channel Mode & 13 Channel Mode
Colors:	7 + White
Gobos:	7 + Spot
Gobo Size:	18.4mm 13mm (Viewable) 0.3mm (Thickness)
Sound Active:	Yes
Working Position:	Any Safe, Secure Position
Warranty:	2 Year (730 days)

Please Note: Specifications and improvements in the design of this unit and this manual are subject to change without any prior written notice.

ADJ Products, LLC
6122 S. Eastern Ave. Los Angeles, CA 90040 USA
Tel: 323-582-2650 / Fax: 323-725-6100
Web: www.adj.com / E-mail: info@americandj.com

A.D.J. Supply Europe B.V.
Junostraat 2
6468 EW Kerkrade
Netherlands

service@adjgroup.eu / www.adj.eu

Tel: +31 45 546 85 00 / Fax: +31 45 546 85 99

Follow Us On:



facebook.com/americandj
twitter.com/americandj
youtube.com/adjlighting